

人性化物料搬运解决方案 提升您的业务

ERGONOMIC MATERIAL LIFTING SOLUTIONS LIFTING YOUR BUSINESS

CRANES

## 组合式梁式起重机

Work Station Bridge Crane

起重量125kg~2000kg



## KBK轻型起重机

KBK Steel Light Crane System

起重量125kg~2000kg



## 铝合金组合式起重机

Aluminium Crane System

起重量125kg~2000kg



## 悬臂起重机

Jib Crane

起重量125kg~5000kg



## 环链电动葫芦

Electric Chain Hoist

125kg~100000kg




## Company Profile 企业简介

孚尔特重工有限公司初创于2015年,自公司成立以来,秉承“精益求精,合作共赢”的企业宗旨,致力于成为全球一流的起重机械制造企业;我们是专业的起重机械制造商和起重机械维修服务提供商,已通过ISO9001质量管理体系认证,欧盟CE,SGS等多项国际国内认证,并获得国家特种设备部门颁发的《起重机械制造许可证(B级)》和《起重机械安装改造维修许可证(B级)》;我们的业务已遍布全球30多个国家,目前拥有硕士、博士、高级工程师、起重机械专业技术人才组成的管理和研发团队;公司现有员工120人,其中技术人员20人,高级职称10人,中级职称15人,公司现有浙江宁波、江苏无锡、山东泰安三个生产基地,车间面积约11000平米,办公面积1200平米;我们专注于物流输送机械特别是起重机械领域,旨在帮助客户提高生产效率,达到推动整体生产效率提升的目的,为客户创造更高的价值。

孚尔特重工有限公司的产品主要有刚性KBK工位起重机、柔性KBK工位起重机、铝合金KBK工位起重机、旋臂吊、折臂吊、智能助力搬运设备、环链电动葫芦,防爆、洁净、以及各种特殊场合适用的特种起重设备。广泛应用于装备制造、造纸、能源电力、汽车船舶、金属加工、航空航天等领域,我们能够运用最新的技术和设计,建立产品的专业化和标准化,通过将服务经验与新技术相结合,为客户提供更高效的服务,材料输送方式采用安全、符合人体工程学的吊装解决方案,欢迎选择“FORT”牌起重设备,真诚希望与您合作,共创美好未来!

FORT Heavy Industry Co., Ltd. was founded in 2015. Since it established, adhering to the enterprise purpose of "Excellence more, Win-Win cooperation", it is committed to becoming the world's first-class crane manufacturing enterprise. We are a professional crane manufacturer and crane maintenance service provider. We have passed ISO9001 quality management system certification, EU CE, SGS and other international and domestic certifications, and obtained the "Lifting Machinery Manufacturing License (Class B)" and "Crane Installation, Transformation and Maintenance License (Class B)" issued by the national special equipment department. Our business has spread across more than 30 countries in the world, currently has master, doctor, senior engineers, crane professional and technical engineers composed of management and research and development team; The company has 120 employees, including 20 technical engineer, 10 people with senior title and 15 people with intermediate title. The company has three production bases in Ningbo, Zhejiang, Wuxi, Jiangsu and Tai 'an, Shandong, with workshop area of about 11,000 square meters and office area of 1200 square meters. We focus on logistics conveying machinery, especially in the field of lifting equipment, aiming to help customers improve production efficiency, to promote the overall production efficiency, to create higher value for customers.

FORT Heavy Industry Co., LTD. 's products are mainly rigid KBK station crane, flexible KBK station crane, aluminum KBK station crane, Jib crane, Folding jib crane, intelligent hoist, chain electric hoist, explosion-proof, clean, and a variety of special hoisting equipment for special occasions. Widely used in equipment manufacturing, paper, energy, electric power, automotive, shipbuilding, metal processing, aerospace and other fields, we can use the latest technology and design, establish the specialization and standardization of products, through the combination of service experience and new technology, to provide customers with more efficient service, material transportation using safe, ergonomic lifting solutions, Welcome to choose "FORT" brand lifting equipment, sincerely hope to cooperate with you, create a better future!



孚尔特重工有限公司

# 物料搬运解决方案提供商

## CONTENTS

## 目录

FORT HEAVY  
INDUSTRIES

孚尔特重工

01	企业资质 Enterprise qualification
02	制造能力 Manufacturing capacity
04	我们的客户 Our customers
05	KBK轻型起重机 KBK Steel Light Crane System
06	KBK轨道工艺制作流程 Manufacturing process of KBK track
07	KBK轻型起重机应用案例 Case study of KBK Light Crane System
08	组合式梁式起重机 Work Station Bridge Crane
09	C型封闭型轨工艺制作流程 Manufacturing process of C track
10	组合式梁式起重机应用案例 Case study of Work Station Bridge Crane
11	铝合金组合式起重机 Aluminium Crane System
12	铝合金组合式起重机应用案例 Case study of Aluminium Crane System
13	悬臂起重机 Jib Crane
14	移动式龙门吊 Gantry Crane
15	智能折臂吊 Intelligent Folding Jib Crane
16	环链电动葫芦FTDC系列 Electric Chain Hoist of FTDC Series
17	环链电动葫芦FTEK系列 Electric Chain Hoist of FTEK Series
18	环链电动葫芦FTEK系列 Electric Chain Hoist of FTEK Series
19	防爆环链电动葫芦 Anti-explosion Electric Chain hoist
20	产品展示 Product Display



## Manufacturing capacity 制造能力

专注创新 精益求精  
FOCUS ON INNOVATION AND KEEP IMPROVING





## Our customers 我们的客户



德施曼机电(中国)有限公司



宁波方太厨具有限公司



华大半导体有限公司



珠海格力电器股份有限公司



东芝电器(沈阳)有限公司



上海通用汽车有限公司



吉利汽车



太原锅炉集团有限公司



上海大众



南京大学



徐工集团



赛克思液压

赛克思液压科技股份有限公司



常州中天钢铁有限公司



比亚迪汽车

比亚迪汽车有限公司



宁德时代新能源科技股份有限公司





# Manufacturing process of KBK track

## KBK轨道工艺制作流程

孚尔特重工严格按照特种设备生产要求生产每一根KBK，每根KBK需要经过原钢-辊轧-检验-焊接-检验-打磨-抛丸-喷塑-烘干-检验-包装，有专业质检员严格检验每道工序，保证产品合格出厂，让每位经销商购买更放心，每个消费者使用更安心。



### 1/ 国标钢卷

国标优质钢材，可塑性强，耐高温，不形变。质量稳定使用寿命长！

### 2/ 高精度辊轧

通过高精度辊轧机一体成型，KBK轨道规整，公差小，使葫芦使用过程不卡轨。



### 3/ 机器抛丸

采用抛丸机进行除锈、打磨，整个轨道无死角，比人工更加精细。

### 4/ 喷塑

外表喷塑，色牢度更高，表面更加光亮，耐腐蚀型更强，在使用过程更好清洁表面。

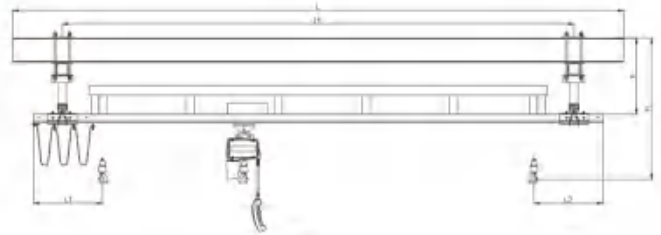




# Work Station Bridge Crane 组合式梁式起重机

## 产品特点 / Product Features

孚尔特组合式梁式起重机可以承担频繁的物料输送搬运任务。它可以安装在普通15cm厚的钢筋混凝土地面上，使用标准的模块化设计结构，可轻松地随着工作单元的扩展而扩展。起重量可达2000kg，主梁长度可达10m，主梁钢质/铝制可选。设计为完全自立式安装，不需要抗摆支撑，安装简易、移动轻便，优越的负载定位。模块化设计使扩展和移装更轻松，使工厂布置设计更为灵活。一套型轨系统上可安装多根主梁，有效提高该工作区域的生产效率和灵活性。



Fort work station bridge crane can undertake frequent material conveying and handling works. It can be installed on a normal 15cm thick reinforced concrete floor, using a standard modular design structure that easily expands as the work unit expands. The lifting weight can reach to 2000kg, and the length of the main beam can reach to 10m. The main beam is made of steel/aluminum. Designed for completely self-supporting installation, no need for anti-swing support, easy installation, portable movement, superior load positioning. Modular design makes expansion and shifting easier, making plant layout design more flexible. Multiple main beams can be installed on one set of rail system, effectively improving the production efficiency and flexibility of the work area.

## 工程案例 / Project Cases



## 技术参数 / Technical Parameters

起重量 Capacity(kg)		125	250	500	1000	2000
跨度 Span (mm)	LK	11500	11500	11500	9500	9500
总长 total length (mm)	L	12000	12000	12000	10000	10000
高度 height (mm)	H	808	878	948	1100	1200
	h	335	335	335	365	365
外悬Hanging (mm)	L1	470	470	525	585	645
	L2	100	100	100	250	250
起升高度 Lifting Height(m)		1~6				
运行机构 Operating mechanism	起升速度 LiftingSpeed(m/min)	8/2	7.8/2.6	7.2/2.4	6.3/2.1	5.4/1.8
	小车 Trolley	手动/电动 Manual / Electric				
	大车 Big car	手动/电动 Manual / Electric				
整机工作级别 Whole machine working grade		A4/A5				



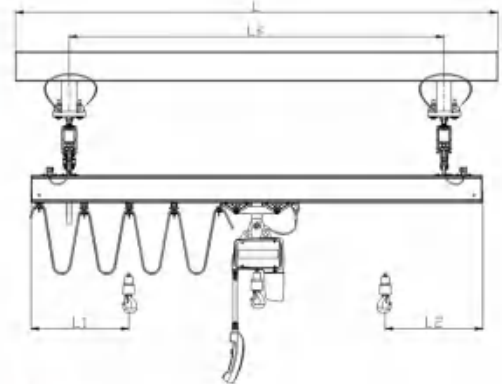
## Case study of Work Station Bridge Crane 组合式梁式起重机应用案例



# Aluminium Crane System 铝合金组合式起重机

## 产品特点 / Product Features

- 材质: 采用 EN AW 6005 T5 型天然铝材, 通过挤压一次成型;
- 高效: 额定载荷可达 2000kg;
- 安全: 5 倍安全系数, 连接机构采用固定式, 更安全可靠;
- 阻力小: 实测启动阶段低于 0.5%, 运行阶段低于 0.25%;
- 表面阳极氧化处理: 使得表面硬度更高, 耐腐蚀, 耐磨损;
- 标准化配件: 选型搭配更容易, 根据客户现场需求定制方案, 同时维修也更为便捷;
- 铝轨系统独特的柔性、多样性使操作者轻松搬运大型工件并避免产品及人员伤害。



Material: EN AW 6005 T5 natural aluminum material is used, which is formed by extrusion at one time;

High efficiency: rated load can reach 2000kg;

Safety: 5 times the safety factor, the connection mechanism is fixed, more safe and reliable;

Small resistance: the measured starting stage is lower than 0.5%, and the operating stage is lower than 0.25%;

Surface anodizing treatment: make the surface hardness higher, corrosion resistance, wear resistance;

Standardized accessories: it is easier to select and match, customize the scheme according to the customer's on-site needs, and at the same time, it is more convenient to maintain;

The unique flexibility and diversity of the aluminum rail system make it easy for operators to carry large workpieces and avoid product and personnel injuries.



单轨型



双轨型



单梁型



双梁型

## 技术参数/Technical Parameters

起重量 Capacity(kg)		125	250	500	1000	2000
跨度 Span (mm)	LK	11500	11500	11500	9500	9500
总长 total length (mm)	L	12000	12000	12000	10000	10000
高度 height (mm)	H	808	878	948	1100	1200
	h	335	335	335	365	365
外悬Hanging (mm)	L1	470	470	525	585	645
	L2	100	100	100	250	250
起升高度 Lifting Height(m)		1~6				
运行机构 Operating mechanism	起升速度 Lifting Speed(m/min)	8/2	7.8/2.6	7.2/2.4	6.3/2.1	5.4/1.8
	小车 Trolley	手动/电动 Manual / Electric				
	大车 Big car	手动/电动 Manual / Electric				
整机工作级别 Whole machine working grade		A4/A5				

## Case study of Aluminium Crane System 铝合金组合式起重机应用案例







# Gantry crane 移动式龙门吊

## 产品特点 / Product Features

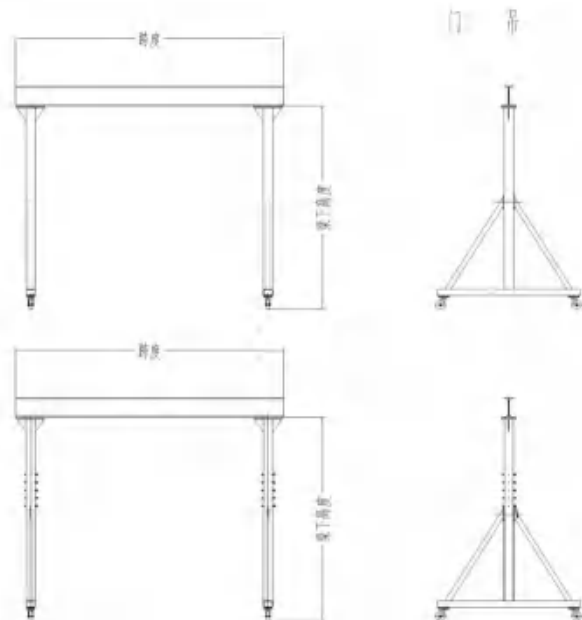
可移动式门吊有可调节高度和固定高度两种形式，是一种经济高效的物料输送解决方案。该产品采用垂直方管、斜支撑和槽形下横梁作为主要结构，实现稳定的物料提升和搬运。

可选组件：

- 四个定位旋转可锁定脚轮
- V槽型轨道
- 可提供与V型轨道相匹配的V型轮脚
- 钢质脚轮
- 钢质刹车脚轮

产品优势：

- 起重量可达2000kg，跨度可达9m，梁下高度可达6m
- 无纹耐磨的聚氨酯脚轮可实现滚动阻力小、移动轻松
- 在垂直方向用螺栓连接横梁，可确保横梁不会脱落
- 可使用动力驱动葫芦



## 工程案例 / Project Cases



# Intelligent Folding Jib Crane 智能折臂吊

## 产品特点 / Product Features

孚尔特智能提升装备以提升物料搬运及生产自动化、使生产作业更加安全，为客户节约人力成本、物流成本、减少厂房空间占用、提高生产效率降低工人劳动强度提供有力的支持和帮助。AI智能提升机具有超高的提升速度，智能而人性化的操作方式以及灵活多样的功能，是对物料运送和部件装配有较高要求的您理想的选择。

Fort intelligent upgrade equipment to improve the material handling and production automation, to make the production more safe, for customers to save labor costs, logistics costs, reduce the occupation of plant space, improve production efficiency and reduce the labor intensity of workers to provide strong support and help. AI intelligent hoist has super high lifting speed, intelligent and humanized operation mode and flexible and diverse functions. It is an ideal choice for you who have high requirements for material transportation and component assembly.



## 工程案例 / Project Cases



## 技术参数 / Technical Parameters

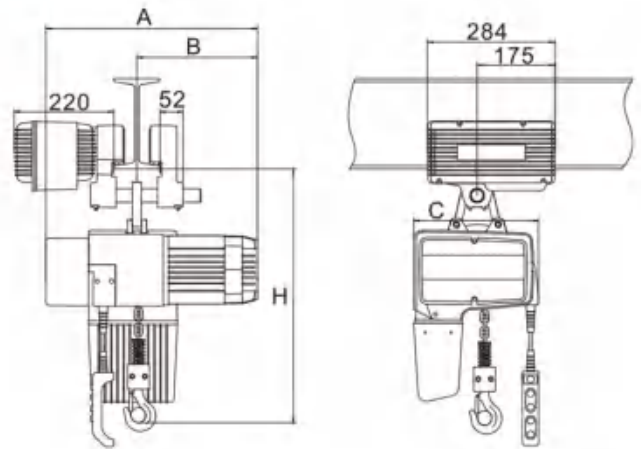
型号 / Model	AI-80	AI-150	AI-300	AI-600
最大起重重量 Maximun lifting weight	80kg	150kg	300kg	600kg
浮动模式下提升速度 Lifting speed in a floating mode	30m/min	20m/min	11m/min	5.5m/min
最大提升范围 Maximun lifting range	3.5m	3.5m	3.5m	3.5m
电机功率 Motor power	0.75	1.0kw	1.1kw	1.3kw
主电源电压 Max main power supply voltage	220v+/-10%			

# Electric Chain Hoist of FTDC Series 环链电动葫芦FTDC系列

## 产品特点 / Product Features

欧式环链电动葫芦外壳轻巧而坚固,散热性能好,能在作业条件比较恶劣的工况下使用。电机低噪音,安全可靠。逆相保护装置确保使用安全。链条采用进口FEC80超强热处理合金钢链条。吊钩经热锻造,强度高,不易断裂。配合kbk柔性起重机,非常适合在各种流水线上使用。

This electric ring chain hoist shell is lightweight and rugged, good heat dissipation, can be used in the worse working condition Motor low noise,safe and reliable.Reverse phase protection device to ensure the use of safety. Chain with imported FEC80 super heat treatment alloy steel chain. Hook by hot forging, high strength,not easy to break Underthe hook can rotate 360 degrees,with KBKflexible crane, very suitable forthe use on all kinds of production line.



## 工程案例 / Project Cases



## 技术参数/Technical Parameters

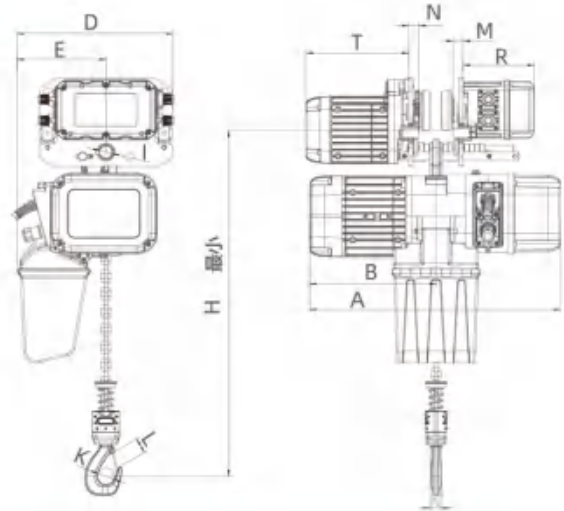
型号 Type	容量 Capacity (Kg)	起升速度 Lifting speed (m/min)	起升电机 Lifting motor					操作电机 Operating motor					尺寸 Size(mm)			
			功率 Power (kw)	转速 Rotationspeed (r/min)	相位 Phase	电压 Voltage (v)	频率 Frequency (Hz)	速度 Speed (r/min)	功率 Power (kw)	转速 Rotation speed (r/min)	相位 Phase	电压 Voltage (v)	H	A	B	C
FTDC0.125-01	125	4/16	0.06/0.22	960/2880	3	380	50/60	3.2/14	0.1/0.2	500/2200	3	380	390	422	245	268
FTDC0.2-01	200	2/8	0.18/0.72	960/2880	3	380	50/60	3.2/14	0.1/0.2	500/2200	3	380	430	468	167	280
FTDC0.25-01	250	2/8	0.06/0.22	960/2880	3	380	50/60	3.2/14	0.1/0.2	500/2200	3	380	390	422	245	268
FTDC0.5-01	500	2/8	0.18/0.72	960/2880	3	380	50/60	3.2/14	0.1/0.2	500/2200	3	380	430	468	167	280
FTDC0.8-01	800	2/8	0.57/2.3	960/2880	3	380	50/60	3.2/14	0.1/0.2	500/2200	3	380	580	578	336	349
FTDC01-01	1000	2/8	0.57/2.3	960/2880	3	380	50/60	3.2/14	0.1/0.2	500/2200	3	380	580	578	336	349
FTDC02-02	2000	1/4	0.57/2.3	960/2880	3	380	50/60	3.2/14	0.1/0.2	500/2200	3	380	660	578	336	349

# Electric Chain Hoist of FTER Series 环链电动葫芦FTER系列

## 产品特点 / Product Features

FTER系列环链葫芦外壳轻巧而坚固，散热性能好，能在作业条件比较恶劣的工况下使用。电机低噪音，安全可靠。逆相保护装置确保使用安全。链条采用进口FEC80超热处理合金钢链条。吊钩经热锻造，强度高，不易断裂。配合kbk柔性起重机，非常适合在各种流水线上使用。

FTER series chain hoist shell is light and solid, with good heat dissipation performance, and can be used under relatively bad working conditions. The motor is low noise, safe and reliable. Reverse phase protection device ensures safe use. The chain is made of imported FEC80 super heat treated alloy steel chain. The hook is hot forged with high strength and is not easy to break. With kbk flexible crane, it is very suitable for use on various assembly lines.



## 工程案例 / Project Cases



## 技术参数/Technical Parameters

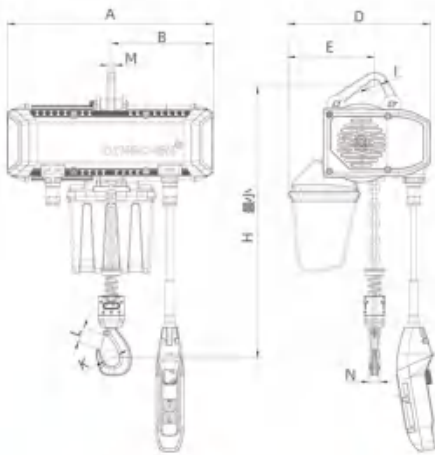
型号 Type	额定起重量 Rated lifting capacity (Kg)	起升速度 Lifting speed (m/min)	起升功率 Lifting Power (kw)	相位 Phase	电压 Voltage (v)	运行速度 Running speed (r/min)	运行功率 Operating power (Hz)	工作级别 Work level	H(mm)	A(mm)	B(mm)	D(mm)	E(mm)
FTER01-01	1000	2.2/6.7	0.6/1.5	3	380	3.6/11	0.2/0.5	M5	516	590	276	368	210
FTER02-01	2000	2.2/6.7	1.1/3	3	380	3.6/11	0.2/0.5	M5	600	681	350	422	264
FTER02-02	2000	1/3.3	0.6/1.5	3	380	3.6/11	0.2/0.5	M5	600	575	276	406	245
FTER03-01	3000	1.8/5.5	1.1/3	3	380	3.6/11	0.2/0.5	M5	645	681	350	478	307
FTER03-02	3000	1/1.3	1.1/3	3	380	3.6/11	0.2/0.5	M5	820	681	350	480	306
FTER05-02	5000	0.8/2.7	1.1/3	3	380	3.6/11	0.3/0.75	M5	810	681	350	500	300
FTER7.5-03	7500	0.5/1.8	1.1/3	3	380	3.6/11	0.3/0.75	M5	1020	681	350	576	375
FTER10-04	10000	0.8/2.7	1.1/3	3	380	3.6/11	0.3/0.75	M5	1045	700	350	920	460
FTER15-06	15000	0.5/1.8	3*2	3	380	3.6/11	0.75*2	M5	1240	700	350	920	460

# Electric Chain Hoist of FTEK Series 环链电动葫芦FTEK系列

## 产品特点 / Product Features

FTEK型环链电动葫芦外壳轻巧而坚固，散热性能好，能在作业条件比较恶劣的工况下使用。电机低噪音，安全可靠。逆相保护装置确保使用安全。链条采用进口FEC80超热处理合金钢链条。吊钩经热锻造，强度高，不易断裂。配合kbk柔性起重机，非常适合在各种流水线上使用。

FTEK type electric chain hoist shell is light and solid, with good heat dissipation performance, and can be used under relatively bad working conditions. The motor is low noise, safe and reliable. Reverse phase protection device ensures safe use. The chain is made of imported FEC80 super heat treated alloy steel chain. The hook is hot forged with high strength and is not easy to break. With kbc flexible crane, it is very suitable for use on various assembly lines.



## 技术参数/Technical Parameters

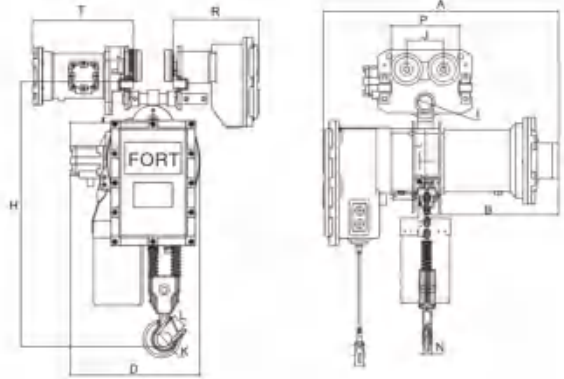
型号 Type	额定起重量 Rated lifting capacity (Kg)	起升速度 Lifting speed (m/min)	起升功率 Lifting Power (kw)	相位 Phase	电压 Voltage (v)	运行速度 Running speed (r/min)	运行功率 Operating power (Hz)	工作级别 Work level	H(mm)	A(mm)	B(mm)	D(mm)	E(mm)
FTEK0.25-01	250	9.6/3	0.6/0.25	3	380	3.6/11	0.2/0.5	M5	390	440	218	305	186
FTEK0.5-01	500	2.5/8	0.3/0.75	3	380	3.6/11	0.2/0.5	M5	396	440	218	305	186
FTEK0.75-01	700	1.7/5.2	0.3/0.75	3	380	3.6/11	0.2/0.5	M5	400	440	218	305	186

# Anti-explosion Electric Chain hoist 防爆环链电动葫芦

## 产品特点 / Product Features

OREP型防爆环链电动葫芦,适用于含有可燃性气体、蒸汽与空气结合形成的易发生火花的易燃易爆工作场合(如煤矿,药厂,化工厂等)。防爆等级分别为DIIBT4和DIICT4,该葫芦的外露防爆零部件采用特殊的无火花材料制成,该产品的电机、电器、跑车轮、导绳器、吊钩、操作手柄等均为防爆,防爆性能安全可靠。我厂生产的防爆电动葫芦通过了质量监督检验中心的防爆性能检测,并颁发了防爆证书。适用于在-25C~+40°C的室内使用;特殊情况需要在户外使用时需要加防护装置

OREP型防爆环链电动葫芦可配跑车安装在工字梁轨道上作直线或曲线运行,可以根据不同使用要求,同防爆单梁悬挂起重机或防爆单、双梁桥式起重机配套使用。也可固定在支架上直接使用。



OREP explosion-proof electric chain hoist is applicable to the combustible gas, steam and air that are easy to explode Flammable and explosive workplace with sparks (such as coal mine, pharmaceutical factory, chemical factory, etc.). The explosion-proof grade is DIIBT4 and DIICT4 respectively, The exposed explosion-proof parts of the hoist are made of special non-sparking materials. The motor, electric appliance, sports wheel, guideRope device, hook, operating handle, etc. are explosion-proof, with safe and reliable explosion-proof performance. The explosion-proof electric hoist produced by our factory has passed The quality supervision and inspection center conducted explosion-proof performance test and issued explosion-proof certificate. Applicable to indoor temperature of - 25 C~+40 ° Cuse; Protective devices shall be added when outdoor use is required under special circumstances.

OREP explosion-proof chain electric hoist can be installed on I-beam track with sports car for straight or curve operation It can be used together with explosion-proof single-beam suspension crane or explosion-proof single-beam and double-beam bridge crane according to different requirements. also It can be fixed on the bracket for direct use.

## 工程案例 / Project Cases



## 技术参数 / Technical Parameters

型号 Type	额定起重量 Rated lifting capacity (Kg)	起升速度 Lifting speed (m/min)	起升功率 Lifting Power (kw)	相位 Phase	电压 Voltage (v)	运行速度 Running speed (r/min)	运行功率 Operating power (Hz)	工作级别 Work level	H(mm)	A(mm)	B(mm)	D(mm)	E(mm)
OREP-B-01-01	1000	6.8	1.5	3	380	10	0.4	M5	650	700	405	380	235
OREP-B-02-01	2000	6.6	3.0	3	380	10	0.4	M5	770	825	460	460	250
OREP-B-02-02	2000	3.4	1.5	3	380	10	0.4	M5	740	700	405	380	235
OREP-B-03-01	3000	5.6	3.0	3	380	10	0.75	M5	820	825	460	460	290
OREP-B-03-02	3000	3.3	3.0	3	380	10	0.75	M5	840	825	460	460	250
OREP-B-05-02	5000	2.8	3.0	3	380	10	0.75	M5	1015	825	460	460	290

# Product Display 产品展示



### 获取更多信息

若想了解更多产品资料和物料搬运解决方案，  
请您联系孚尔特公司或其授权经销商，  
也欢迎您关注孚尔特官方网站和微信公众平台  
了解更多信息。



微信公众平台

## 孚尔特重工有限公司

官方热线：400-870-1819

钢轨生产基地：山东省新泰市羊流工业园

铝轨生产基地：江苏省无锡市锡山区通湖路12号

葫芦生产基地：浙江省宁波市镇海路骆驼工业区南一西路618号

邮箱：sales@fortcranes.com